
LSE445

GAMA DE FRESADO FRONTAL Y ESCUADRADO CON
PLACAS POSITIVAS DE 20° PARA UN MECANIZADO
EFICIENTE Y FIABLE



*M*plus...

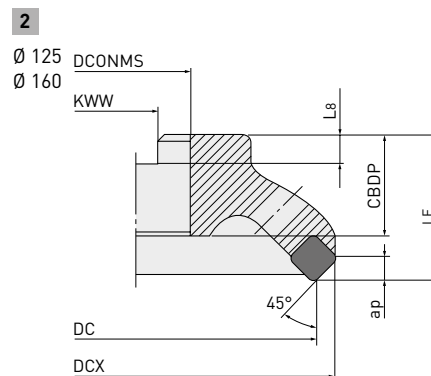
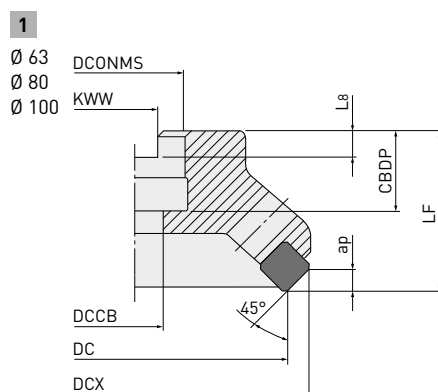
LSE445



FRESADO FRONTAL GENERAL EN 45°



CH: 45°
A.R: +19° T: +13°
RR: -2° I: +15°



TIPO FRONTAL

Referencia	Stock		ZEFP	DC	DCX	LF	DCONMS	CBDP	DCCB	KWW	L8	WT	APMX		Tipo
	R	L													
LSE445-063A05R/L-E	●	□	5	63	76.5	40	22	20	11	10.4	6.4	0.8	5.5	—	1
LSE445-080A06R/L-E	●	□	6	80	93.5	50	27	22	13.5	12.4	7.0	1.0	5.5	—	1
LSE445-100A07R/L-E	●	□	7	100	113.5	50	32	25	17.5	14.4	8.0	1.4	5.5	—	1
LSE445-125B09R/L-E	□	□	9	125	138.5	50	40	32	—	16.4	9.0	2.0	5.5	—	2
LSE445-160B11R/L-E	□	□	11	160	173.5	50	40	32	—	16.4	9.0	3.0	5.5	—	2

1/1



REPUESTOS

Referencia herramienta	*1					
	Placa base	Tornillo	Cuña	Tornillo roscado	Llave	Llave
LSE445-063A05R/L-E				LS10T		
LSE445-080A04R/L-E						
LSE445-100A07R/L-E	STBE445NF	CS300890T	CWSE445TR	LS15T	TKY25T	TKY08F
LSE445-125B09R/L-E						
LSE445-160B11R/L-E						

*1 Par de fijación (N • m) : LS10T= 8.5. LS15T= 8.5. CS300890T= 1.0

LSE445 – PLACAS

P	Acero	●	●		●	●	●	●	●									Condiciones de corte:
M	Acero Inoxidable	●	●		●	●	●	●	●									●: Corte continuo ●: Corte general ✚: Corte interrumpido
K	Fundición				●	✚	●											Honing:
N	Metales no férricos																	●: Redondeo F: Afilado S: Chaflán + Piedra de afilar T: Chaflán Z: Duro

Tipo de placa	Clase	Honing	F7010	F7030	MC5020	VP15TF	NX2525	NX4545	UT120T	HTi10	IC	S	BS	RE	Forma	
SEEN1203AFFN1	E	F								●	12.7	3.18	1.4	1.0		
SEEN1203AFEN1	E	E				●					12.7	3.18	1.4	1.0		
SEEN1203AFTN1	E	T	●				●		●		12.7	3.18	1.4	1.0		
SEEN1203AFTN3	E	T	●					●	★		12.7	3.18	1.4	—		
SEEN1203AFSN1	E	S	●	●							12.7	3.18	1.4	1.0		
SEEN1203AFSN3	E	S	●								12.7	3.18	1.4	—		
SEEN1203AFZN1	E	Z					●				12.7	3.18	1.4	1.0		

Placas con rompevirutas

SEER1203AFEN-JS	E	E	●	●	●	●					12.7	3.18	1.4	1.0		
SEER1204AFEN-JS	E	E	●								12.7	3.18	1.4	1.0		

Placas wiper

WEC42AFTR5C	C	T					●				—	3.18	5	1.0		
-------------	---	---	--	--	--	--	---	--	--	--	---	------	---	-----	--	--

1/1

LSE445

CONDICIONES DE CORTE RECOMENDADAS

Material	Dureza	Calidad	Vc	fz
P Acero dulce	<180HB	F7030	300 (200 – 360)	0.2 (0.1 – 0.3)
		NX4545		
		UTi20T	240 (170 – 300)	
		UP20M		
P Acero al carbono Acero aleado	180 – 280HB	F7030	250 (170 – 300)	0.2 (0.1 – 0.3)
		NX4545		
		UTi20T	200 (140 – 240)	
		UP20M		
M Acero inoxidable	<200HB	UTi20T	140 (100 – 170)	0.15 (0.1 – 0.2)
		UP20M		
K Fundición	Resistencia a la tracción <450MPa	MC5020	200 (130 – 240)	0.2 (0.1 – 0.3)
		F5010		
		F5020		
		HTi10	160 (110 – 190)	
		UTi20T		
N Aleación de aluminio	—	MD220	1000 (200 – 1500)	0.15 (0.05 – 0.25)
		HTi10	1000 (700 – 1200)	0.12 (0.05 – 0.2)

1/1

1. Revoluciones (min^{-1}) = $(1000 \times \text{Velocidad de corte}) \div (3.14 \times \text{ØD1})$.

2. Avance de mesa (mm/min) = Avance por mesa \times Número de dientes \times Revoluciones de corte.





GERMANY

MMC HARTMETALL GMBH
Comeniusstr. 2 . 40670 Meerbusch
Phone +49 2159 91890 . Fax +49 2159 918966
Email admin@mmchg.de

U.K. Office

MMC HARDMETAL U.K. LTD.
Part First Floor, 1 Centurion Court
Centurion Way, Tamworth, B77 5PN
Phone +44 1827 312312
Email sales@mitsubishicarbide.co.uk

U.K. Deliveries/Returns

Unit 4 B5K Business Park, Quartz Close
Tamworth, B77 4GR

SPAIN

MITSUBISHI MATERIALS ESPAÑA, S.A.
Calle Emperador 2 . 46136 Museros/Valencia
Phone +34 96 1441711
Email comercial@mmevalencia.es

FRANCE

MMC METAL FRANCE S.A.R.L.
6, Rue Jacques Monod . 91400 Orsay
Phone +33 1 69 35 53 53 . Fax +33 1 69 35 53 50
Email mmfsales@mmc-metal-france.fr

POLAND

MMC HARDMETAL POLAND SP. Z O.O
Al. Armii Krajowej 61 . 50-541 Wrocław
Phone +48 71335 1620 . Fax +48 71335 1621
Email sales@mitsubishicarbide.com.pl

ITALY

MMC ITALIA S.R.L.
Viale Certosa 144 . 20156 Milano
Phone +39 0293 77031 . Fax +39 0293 589093
Email info@mmc-italia.it

TURKEY

MMC HARTMETALL GMBH ALMANYA - İZMİR MERKEZ ŞUBESİ
Adalet Mahallesi Anadolu Caddesi No: 41-1 . 15001 35530 Bayraklı /İzmir
Phone +90 232 5015000 . Fax +90 232 5015007
Email info@mmchg.com.tr

europa.mmc-carbide.com

DISTRIBUIDO POR:

□

□

└

└

MP103S 

MMC Hartmetall GmbH – A Sales Company of MITSUBISHI MATERIALS | 2024.01